

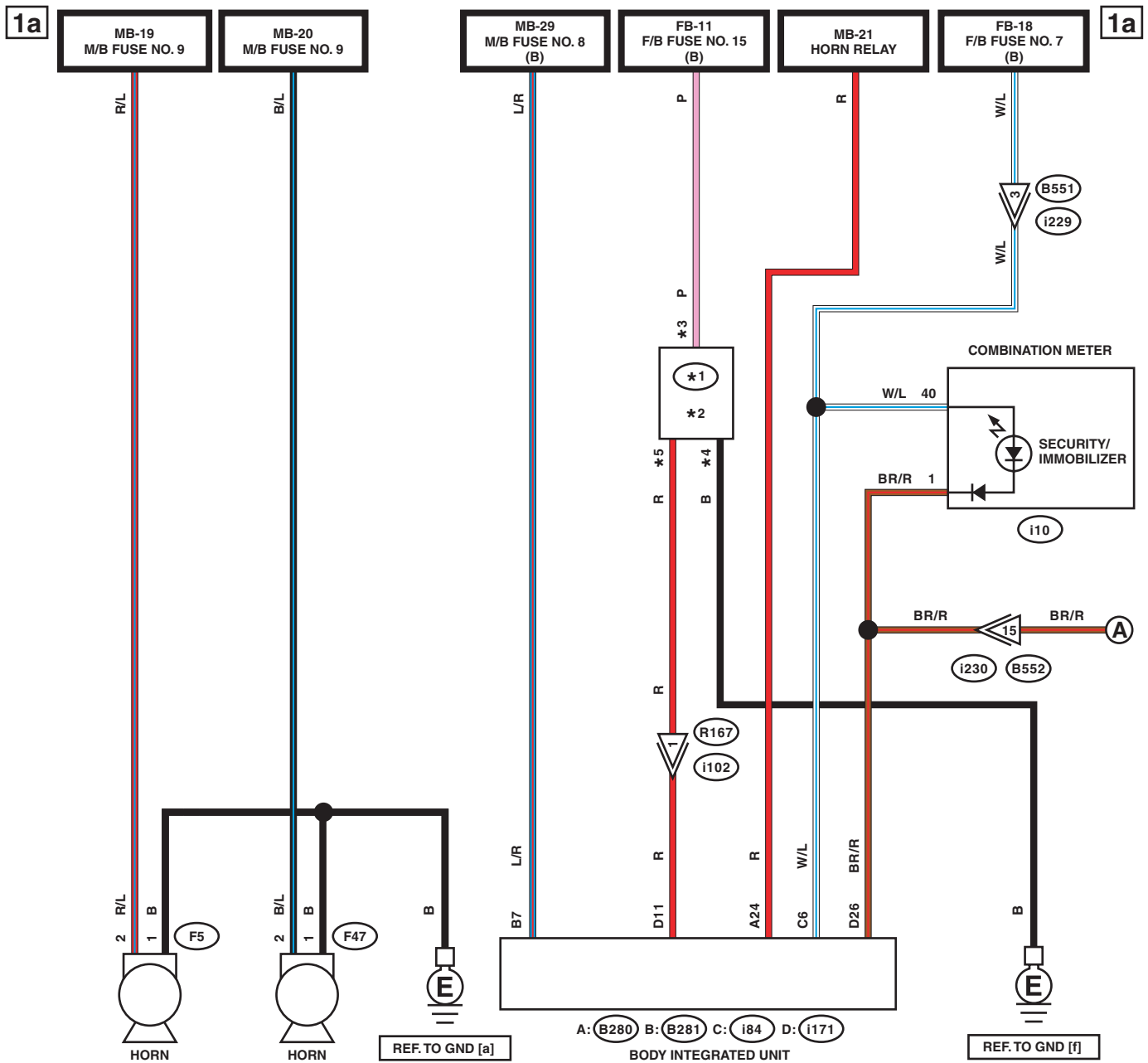
Security System

WIRING SYSTEM

49. Security System

A: WIRING DIAGRAM

1. WITHOUT PUSH BUTTON START



*1 : WITHOUT TPMS : R80
WITH TPMS : R221

*2 : WITHOUT TPMS : KEYLESS ENTRY CM
WITH TPMS : TPMS & KEYLESS ENTRY CM

*3 : WITHOUT TPMS : 4
WITH TPMS : 6

*4 : WITHOUT TPMS : 7
WITH TPMS : 5

*5 : WITHOUT TPMS : 3
WITH TPMS : 11

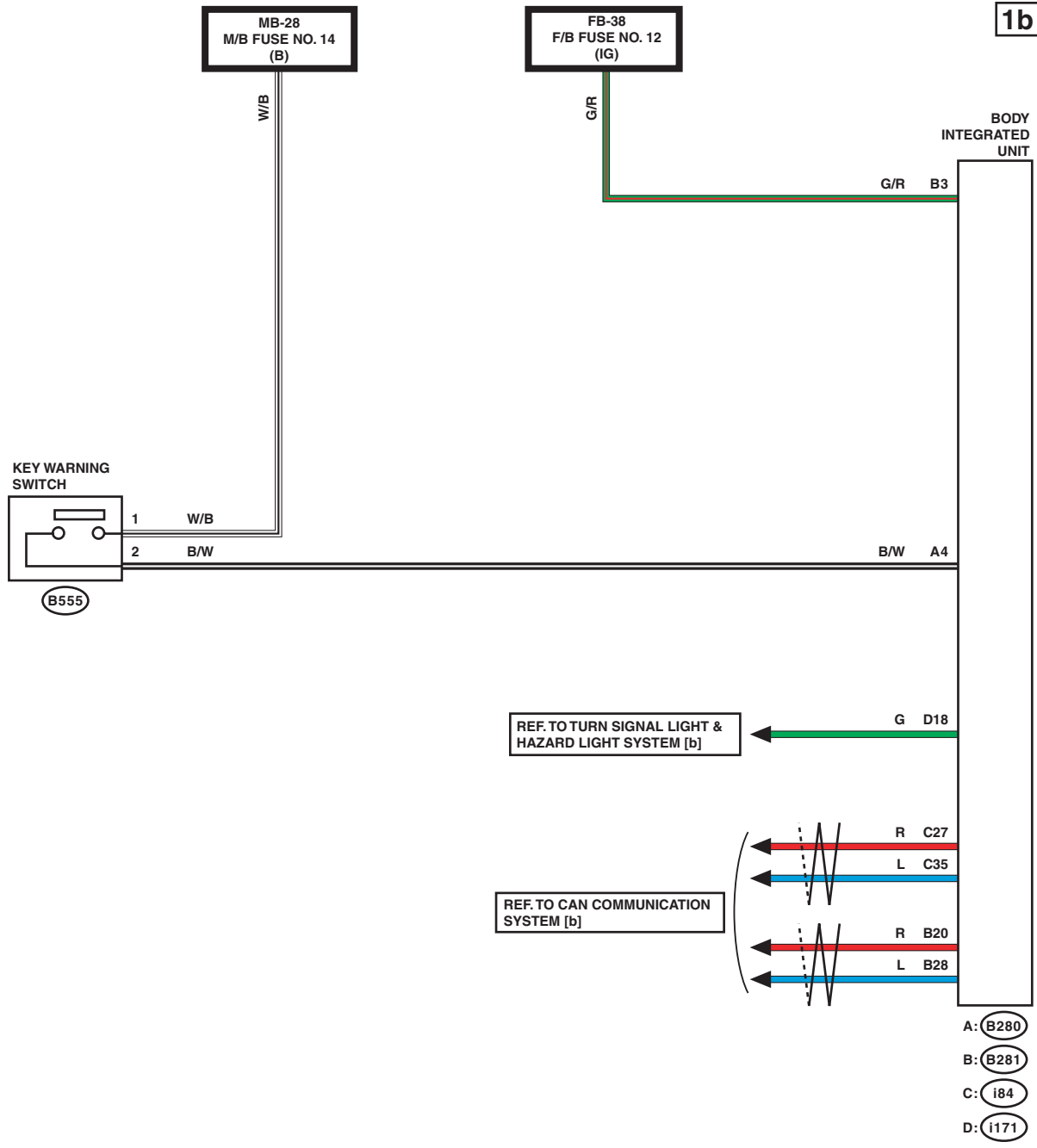
WI-44564

Security System

WIRING SYSTEM

1b

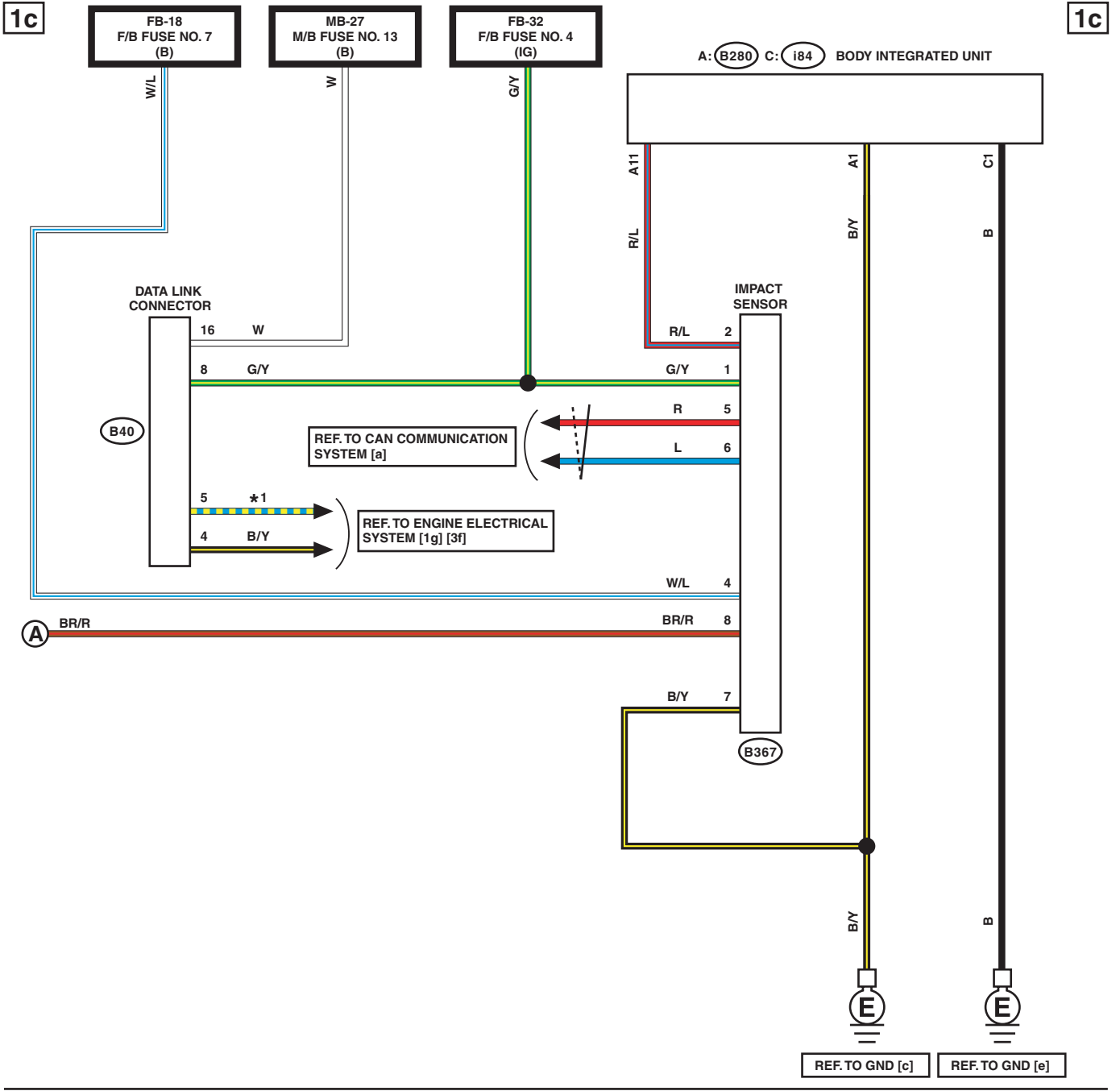
1b



WI-44565

Security System

WIRING SYSTEM



*1 : ENGINE TYPE FA : B/R
ENGINE TYPE EJ : B/W

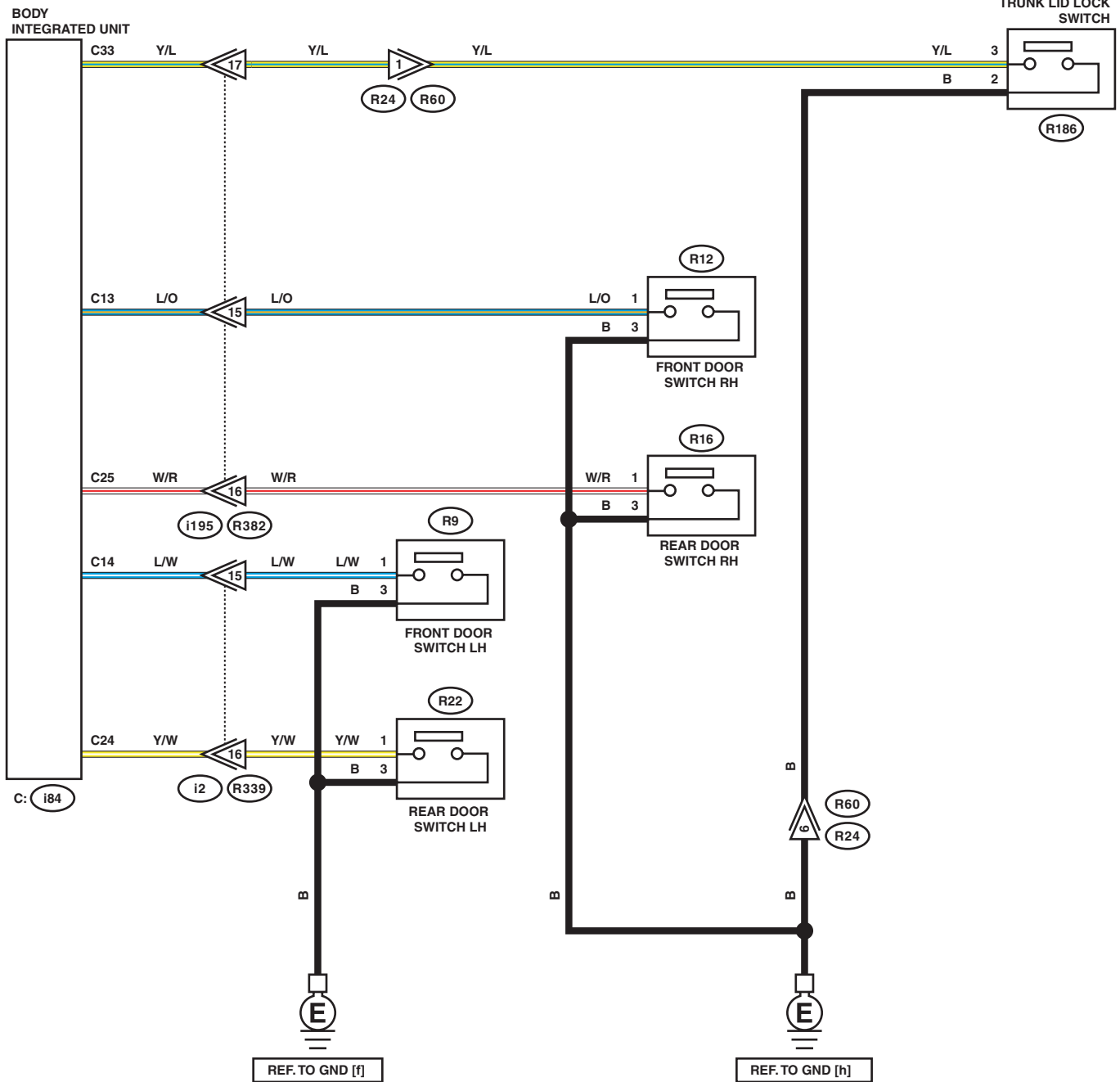
WI-44566

Security System

WIRING SYSTEM

1d

1d



WI-44567

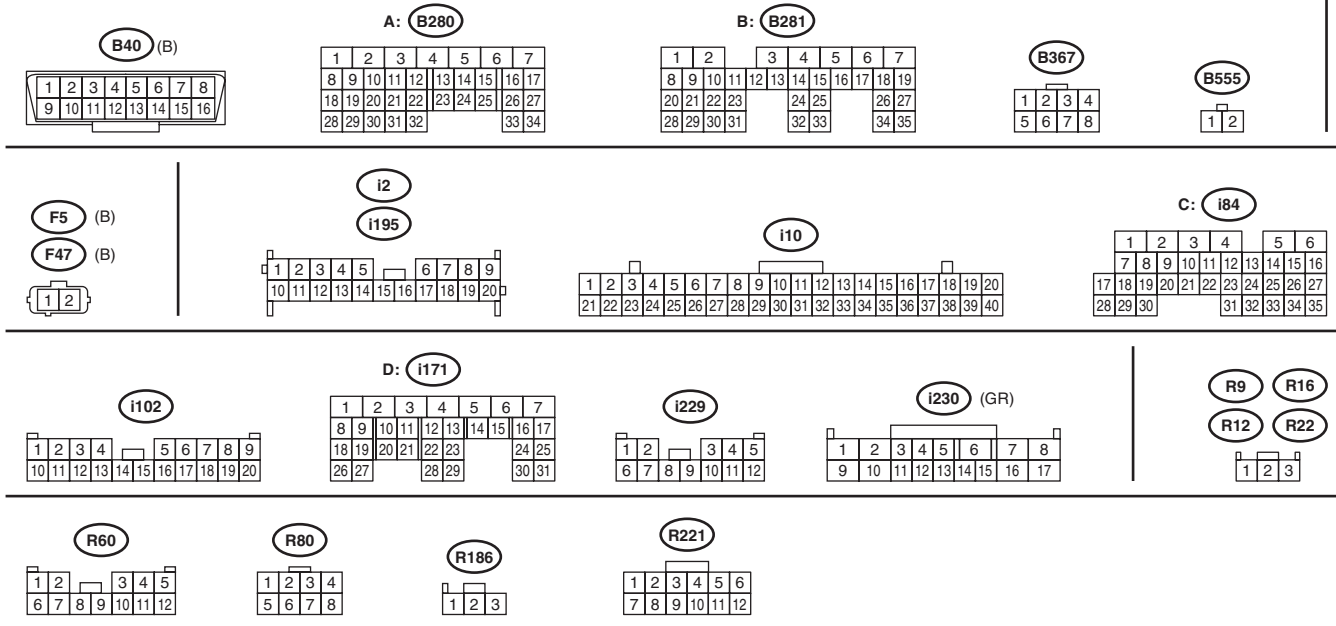
Security System

WIRING SYSTEM

1e

1e

LIST OF CONNECTORS



WI-44568

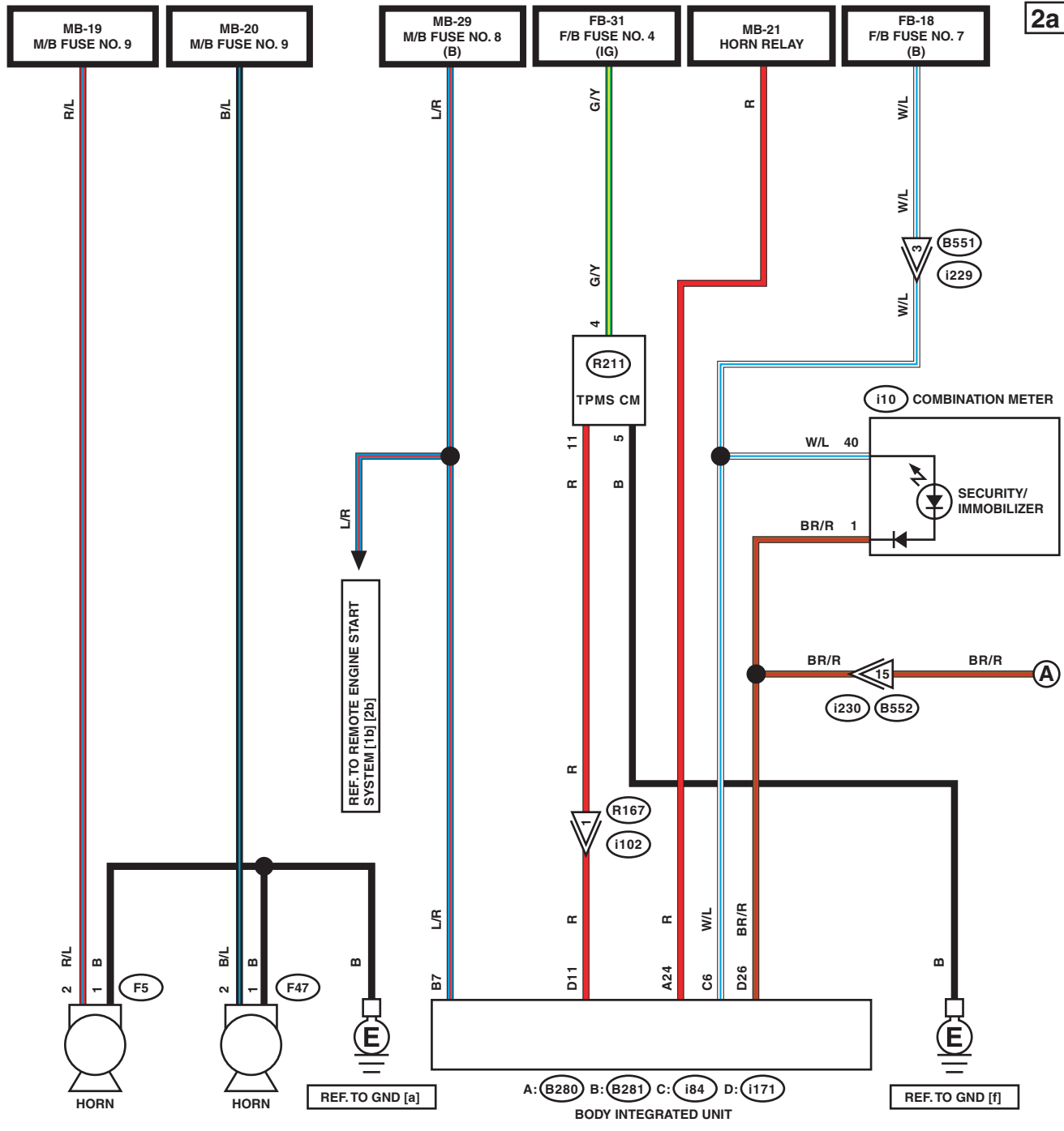
Security System

WIRING SYSTEM

2. WITH PUSH BUTTON START

2a

2a



WI-44569

Security System

WIRING SYSTEM

2b

FB-29
F/B FUSE NO. 31
(ACC)

FB-38
F/B FUSE NO. 12
(IG)

2b

Y/R

G/R

BODY
INTEGRATED UNIT
G/R B3

Y/R A4

REF. TO TURN SIGNAL LIGHT &
HAZARD LIGHT SYSTEM [b]

G D18

REF. TO CAN COMMUNICATION
SYSTEM [b]

R C27

L C35

R B20

L B28

A: B280

B: B281

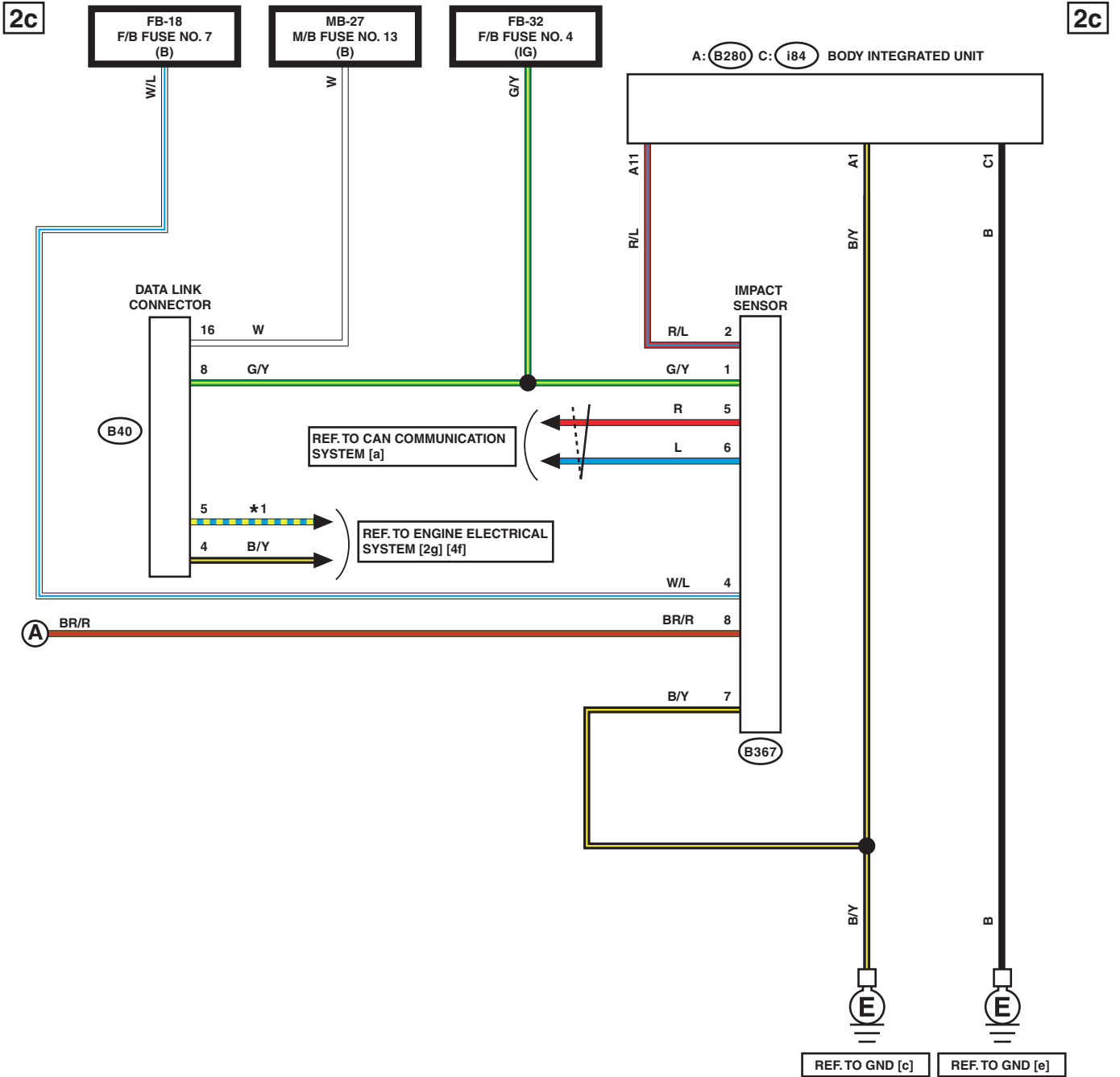
C: i84

D: i171

WI-44570

Security System

WIRING SYSTEM



*1 : ENGINE TYPE FA : B/R
ENGINE TYPE EJ : B/W

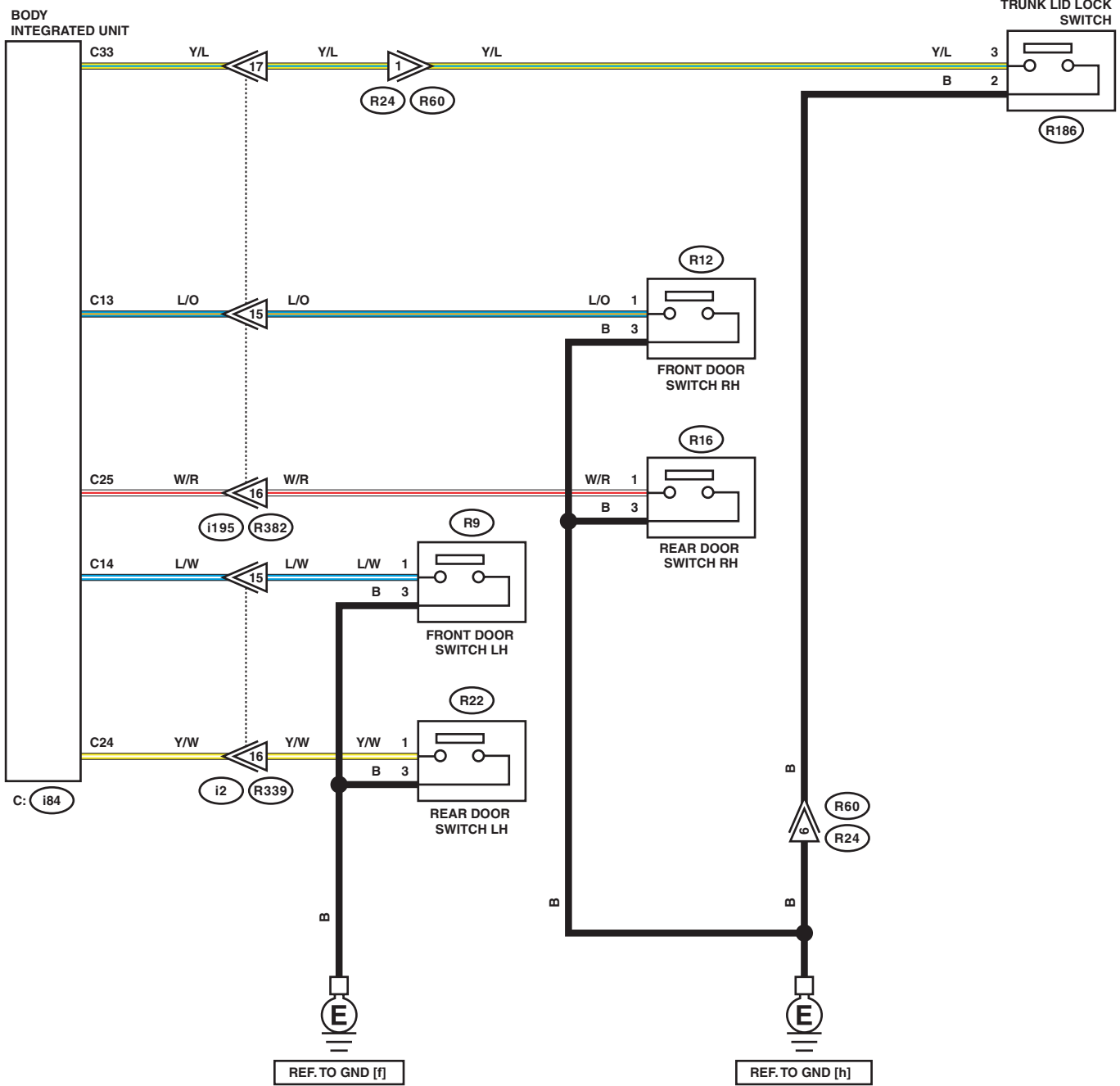
WI-44571

Security System

WIRING SYSTEM

2d

2d



WI-44572

2e

2e

LIST OF CONNECTORS

